

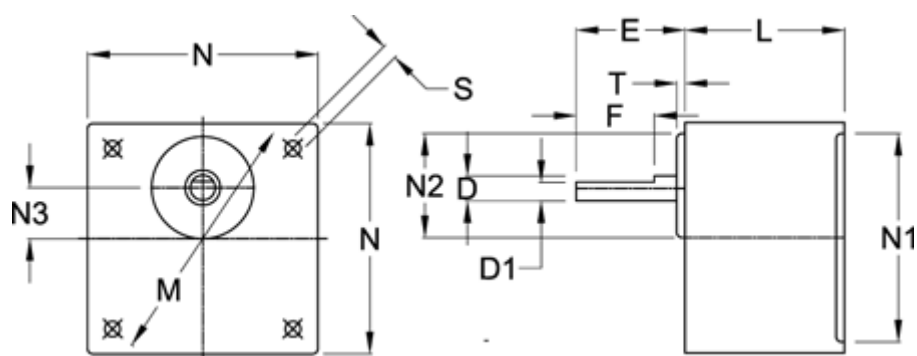
Data Sheet



Article number: 72009150032

Description: Gear Head SP150B I=150
Pinion input

Measures



| | |
|----------|------------|
| D = 12 | N2 = 38 |
| D1 = 9.5 | N3 = 18 |
| E = 35 | S = 4xø6,5 |
| F = 25 | T = 5 |
| L = 60 | |
| M = 104 | |
| N = 90 | |
| N1 = 83 | |